

### MOUNTING INSTRUCTIONS

CONV-RESI08	Up to 8 unit load
CONV-RESI24	Up to 24 unit load



RESI M-Bus/Modbus converter automatically reads values out of M-Bus meters and stores them in Modbus Holding registers. There can be read up to 100/500 values via Modbus. After switching on power supply (Vdc) the converter checks for a valid configuration (use downloadable configuration software\*) and initializes all registers to zero. If there is no valid configuration or another error occurred, the state indicator flashes every second, otherwise if start-up was successful it flashes every two seconds.

### ASSEMBLING

CONV-RESIxx converter is designed for the assembling on a 35 mm DIN bar.

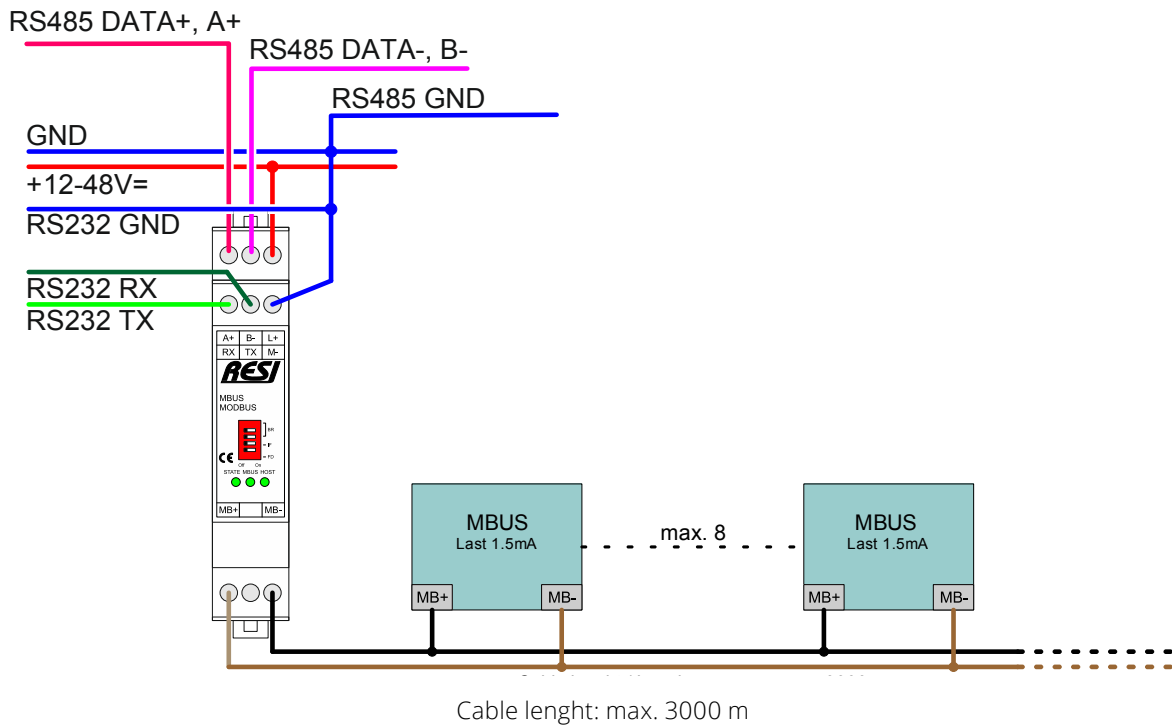
### ELECTRICAL DATA

Voltage, Current, Temperature	
Max supply voltage	24 Vdc
Admissible range	18 Vdc up to 30 Vdc
Current drain	typ. 36 mA, max. 55 mA
Max. inrush current	100 mA (20 ms)
Operating temp.	0T60°C
Storage temp.	-20T85°C
Humidity (not condensing)	10-90% R.H.
Protection class	IP20
CE Conformity	EMC 2014/30/UE LVD 2014/35/UE

### ELECTRICAL CONNECTIONS and LEDs STATUS

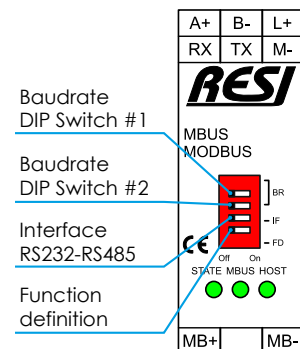
CLAMP/LEDs	RESI M-Bus/Modbus
L+ M-	Power supply L+: 24 Vdc M-: Ground
A B	RS485 Modbus/RTU slave interface A: DATA+ B: DATA-
RX TX M-	RS232 Modbus/RTU slave interface RX: serial receive TX: serial transmit M-: Ground for RS232
Bus+ Bus-	Interface to M-Bus devices
Status	State-LED, flashes when converter is ok
M-Bus	M-Bus activity LED, flashes when M-Bus telegrams are on the bus
Host	HOST-LED flashes when host sends/receives Modbus/RTU telegrams

The performances stated in this sheet can be modified without any prior notice.



### DIP CONFIGURATION (IF PRESENT)

DIP Switch	Description
Baudrate	Use DIP 1+2 to select Baudrate: OFF OFF 9600 Bd ON OFF 19200 Bd OFF ON 38400 Bd ON ON 57600 Bd
Interface	Select serial interface for Modbus/RTU slave: OFF = RS232 ON = RS485
Function definition	Selects special functions: OFF = Use Modbus RTU slave bus address from FLASH Memory ON = Use always slave address 255
HINT	After changing the DIP switches the converter must be rebooted in disconnecting and reconnecting the power supply.



\* The configuration software can be downloaded using the following link:  
<http://www.resi.cc/resi/software/index.php?language=english>